

CE01 SERIES

Specification

- Pitch : 4.5 mm
- Pin Count : 2, 3 pin
- Applied Cable : 0.3 mm ~ 1.25mm²
- Material
 - Terminal : Copper Alloy (Tin Plating)
 - Housing : PBT (UL94V-0)
 - Seal : Silicon rubber
- Rated Voltage : 300V
- Rated Current : Max. 9A
- Withstand Voltage : AC1700V r.m.s. / min.
- Contact Resistance : Under 10MΩ
- Insulation resistance : 1000MΩ
- Temperature Range : -40°C ~ +105°C
(Include temperature rise while energization)
- Waterproof / Dustproof : IP67 (JIS C 0920)

Housing Part Number

■ Type A : (Ins. Dia Φ1.7 ~ Φ2.3)	
Female Housing	CE01A6-0#B0-01
Male Housing	CE01A5-0#B0-01
■ Type B : (Ins. Dia Φ2.2 ~ Φ2.8)	
Female Housing	CE01A6-0#B0-02
Male Housing	CE01A5-0#B0-02
■ Type C : (Ins. Dia Φ2.7 ~ Φ3.2)	
Female Housing	CE01A6-0#B0-03
Male Housing	CE01A5-0#B0-03

- 「 # 」 stands for pin count.
- F Housing ... Wire Seal already assembled.
- M Housing ... Wire Seal & Housing seal are already assembled.

Terminal Part Number

■ Small Wire Barrel : Wire Size 0.30 ~ 0.85mm²	
REC (Female)	CE01C6-010A
TAB (Male)	CE01C5-010A
■ Large Wire Barrel : Wire Size 0.75 ~ 1.25mm²	
REC (Female)	CE01C6-020A
TAB (Male)	CE01C5-020A

Component

① Female Housing	④ TAB
② Male Housing	⑤ Housing Seal
③ REC	⑥ Wire Seal

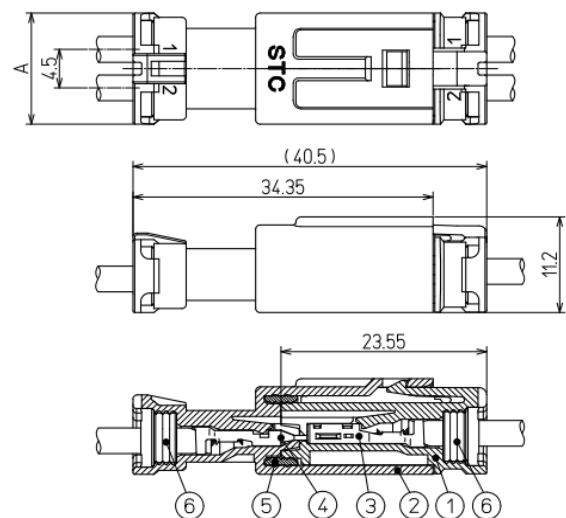
4.5mm Pitch Wire to Wire, Waterproof Connector

CE01 Series are wire to wire waterproof connector. Applying high electrical conductivity material to the Terminal, it enables rated voltage at 9 Ampere even though the size of the connector are compact at 4.5 mm pitch. No need for retainer insertion and crimping wire seal. Therefore when inserting crimped terminal to the connector, it can easily get waterproofing. What's more, latch locking system and wire seal installed at the male housing brings low insertion and low withdrawal force. It's design was considered for performance in workability and compact design .



Will be released after July-2014 (Photo are Prototype)

Connector Mating figure



Measurement

	2 pin	3 pin
「A」 point	13.0	17.5

※Above mentioned figure shows 2 pins.

- ※ Please feel free to contact our sales for pin count, shapes and specification changes.
- ※ Please be noted that our specification will change without any notice.

Connector Maker



4-1, Gokanme-cho, Seyaku, Yokohama-city,
Kanagawa 246-0008
TEL 81-45-921-2403 FAX 81-45-921-2579
<http://www.sumiko-tec.co.jp>

Official Overseas Agent



金菱有限公司
GOLDLINK ELECTRONICS LTD.

Unit 8, 16/F., Technology Plaza 29-35
Sha Tsui Road Tsuen Wa, N.T.
TEL 852-3119-1098 FAX 852-3119-1009