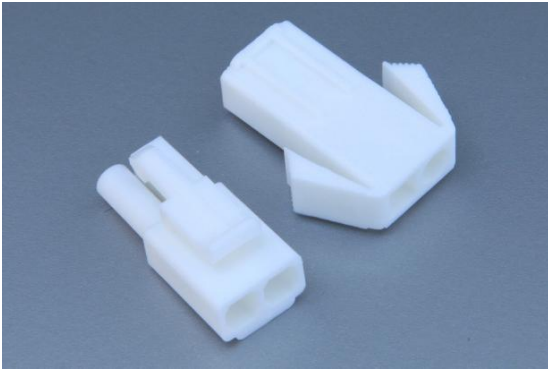


10277



Wire to Wire 1.3mm ϕ Connectors



PERFORMANCE

Electrical Rating: AC/DC 250V 7A

額定電壓電流

Insulation Resistance: 1000M Ω min.

絕緣阻抗

Withstanding Voltage: 1000V AC/minute

耐電壓

Temperature Range: -25 $^{\circ}$ C~+85 $^{\circ}$ C

適用溫度



TERMINAL

Part No.: 10277BS-2

產品編號

Thickness: 0.25mm

銅板厚度

Material: Brass

材質 黃銅

Surface Treatment: Tin-plated

表面處理 鍍錫

Acceptable Wire: AWG# 18~22

適用電線

Insulation O.D.: 1.70~2.10mm

線皮外徑

Suitable Contact: 11277BS-2

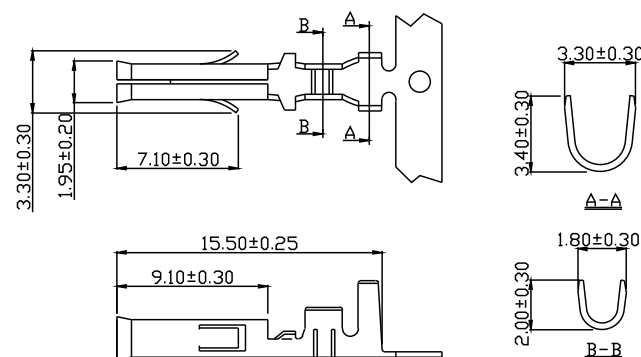
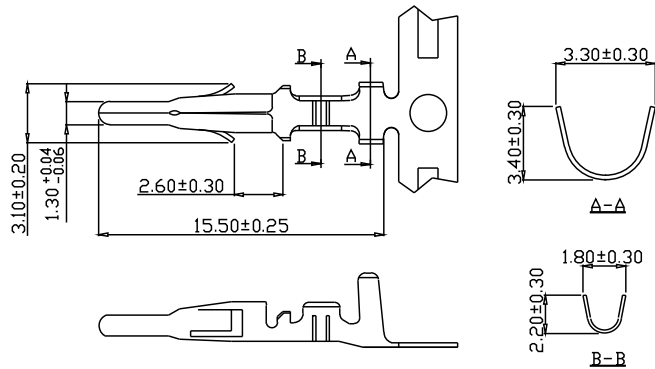
配合端子

Suitable Housing: P102772 P102773 P102776

配合塑膠

Packing: 7,500PCS(Reel)

包裝數量



TERMINAL

Part No.: 11277BS-2

產品編號

Thickness: 0.25mm

銅板厚度

Material: Brass

材質 黃銅

Surface Treatment: Tin-plated

表面處理 鍍錫

Acceptable Wire: AWG# 18~22

適用電線

Insulation O.D.: 1.70~2.10mm

線皮外徑

Suitable Contact: 10277BS-2

配合端子

Suitable Housing: P112772 P112773

配合塑膠

P112776

Packing: 7,500PCS(Reel)

包裝數量

Behave in conformity with continual product development policy, SinSheng (STM) reserves the right of specification changing of contents described in this catalogue at any time and without prior notice. Please contact the sales department nearby for most updated information. 由於產品持續開發的政策, 信盛(STM)保留隨時變更本目錄所述之規格且不需提前通知的權利, 請連繫業務處查詢最新的產品資訊。

10277

Wire to Wire 1.3φ Connectors



HOUSING - Male Type

Part No.: P102772

產品編號

Material: Nylon 94V-0

材質

Suitable Contact: 10277BS-2

配合端子

Suitable Housing: P112772

配合塑膠

Acceptable Wire: AWG# 18~22

適用電線

Packing: 500PCS(Bag)

包裝數量

PERFORMANCE

Electrical Rating: AC/DC 250V 7A

額定電壓電流

Insulation Resistance: 1000MΩ min.

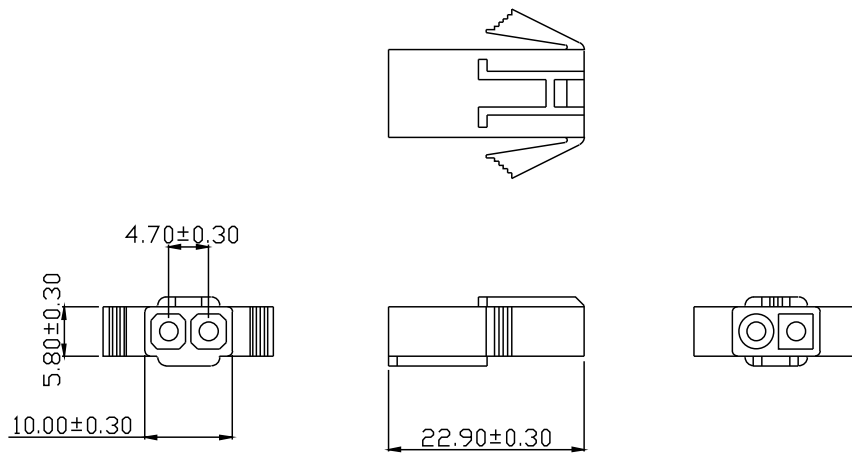
絕緣阻抗

Withstanding Voltage: 1000V AC/minute

耐電壓

Temperature Range: -25°C~+85°C

適用溫度



HOUSING

Part No.: P102773

產品編號

Material: Nylon 94V-0

材質

Suitable Contact: 10277BS-2

配合端子

Suitable Housing: P112773

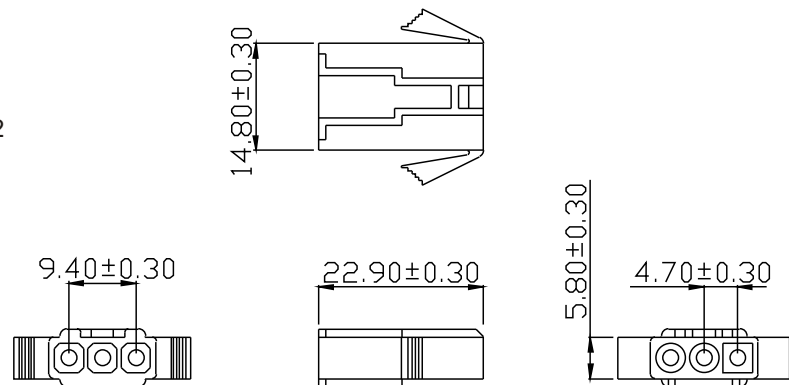
配合塑膠

Acceptable Wire: AWG# 18~22

適用電線

Packing: 500PCS(Bag)

包裝數量



HOUSING - Male Type

Part No.: P102776

產品編號

Material: Nylon 94V-0

材質

Suitable Contact: 10277BS-2

配合端子

Suitable Housing: P112776

配合塑膠

Acceptable Wire: AWG# 18~22

適用電線

Packing: 500PCS(Bag)

包裝數量

PERFORMANCE

Electrical Rating: AC/DC 250V 7A

額定電壓電流

Insulation Resistance: 1000MΩ min.

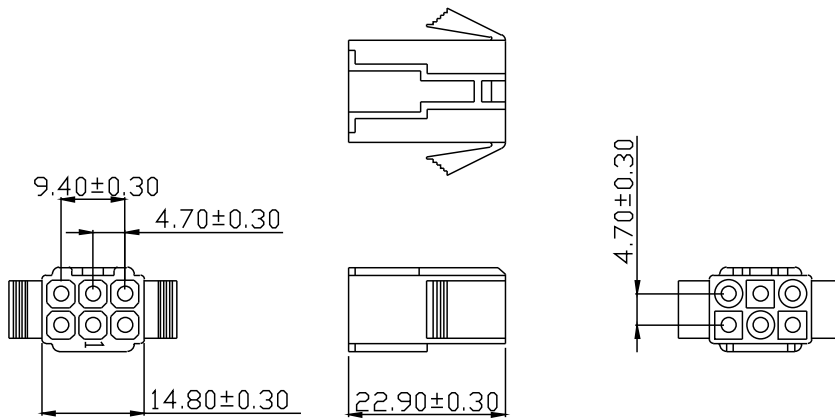
絕緣阻抗

Withstanding Voltage: 1000V AC/minute

耐電壓

Temperature Range: -25°C~+85°C

適用溫度



HOUSING

Part No.: P112772

產品編號

Material: Nylon 94V-0

材質

Suitable Contact: 11277BS-2

配合端子

Suitable Housing: P102772

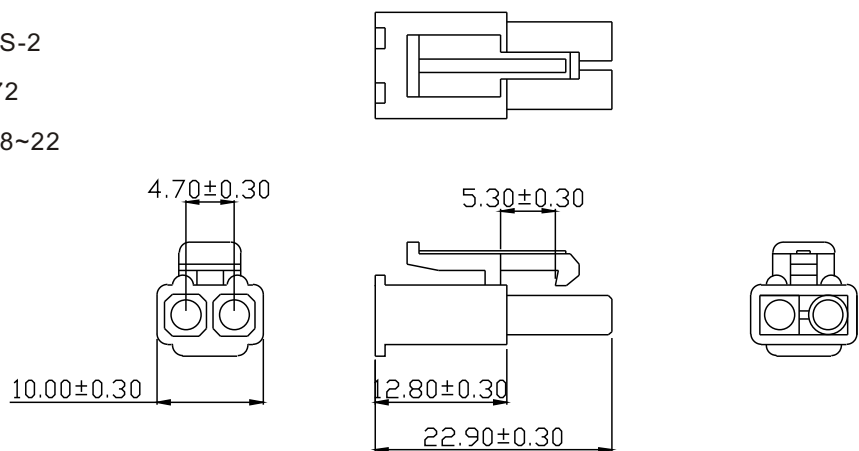
配合塑膠

Acceptable Wire: AWG# 18~22

適用電線

Packing: 500PCS(Bag)

包裝數量



10277 Wire to Wire 1.3 ϕ Connectors



HOUSING - Female Type

Part No.: P112773

產品編號

Material: Nylon 94V-0

材質

Suitable Contact: 11277BS-2

配合端子

Suitable Housing: P102773

配合塑膠

Acceptable Wire: AWG# 18~22

適用電線

Packing: 500PCS(Bag)

包裝數量

PERFORMANCE

Electrical Rating: AC/DC 250V 7A

額定電壓電流

Insulation Resistance: 1000M Ω min.

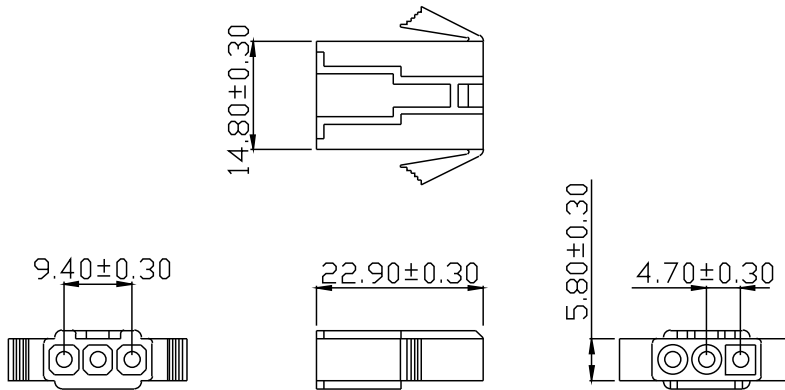
絕緣阻抗

Withstanding Voltage: 1000V AC/minute

耐電壓

Temperature Range: -25 $^{\circ}$ C~+85 $^{\circ}$ C

適用溫度



HOUSING

Part No.: P112776

產品編號

Material: Nylon 94V-0

材質

Suitable Contact: 11277BS-2

配合端子

Suitable Housing: P102776

配合塑膠

Acceptable Wire: AWG# 18~22

適用電線

Packing: 500PCS(Bag)

包裝數量

